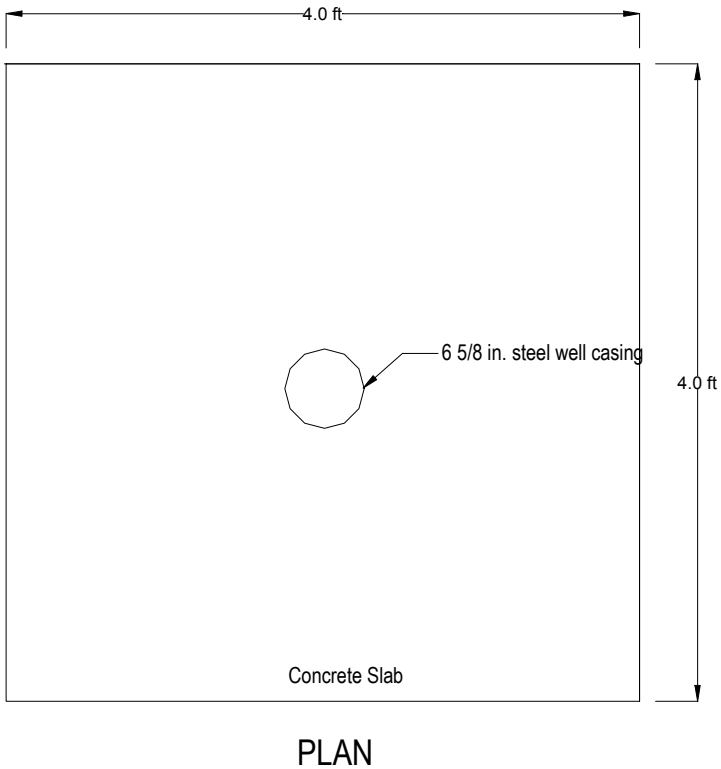
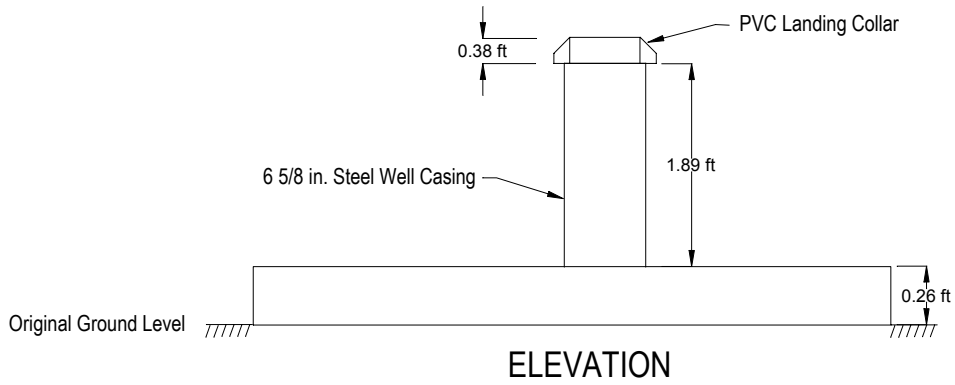


EWDP-22S Wellhead Protection Detail



Note:
 (1) Stick-up from original ground level to top of steel well casing is 2.15 ft.
 (2) Surface details for Westbay completions are subject to change.

Nye County, Nevada Nuclear Waste Repository Project Office	
Early Warning Drilling Program Wellhead Protection Diagram NC-EWDP-22S	
Date: 11/04/02	Geologist: SL
Scale: none	Drawn by: KJG