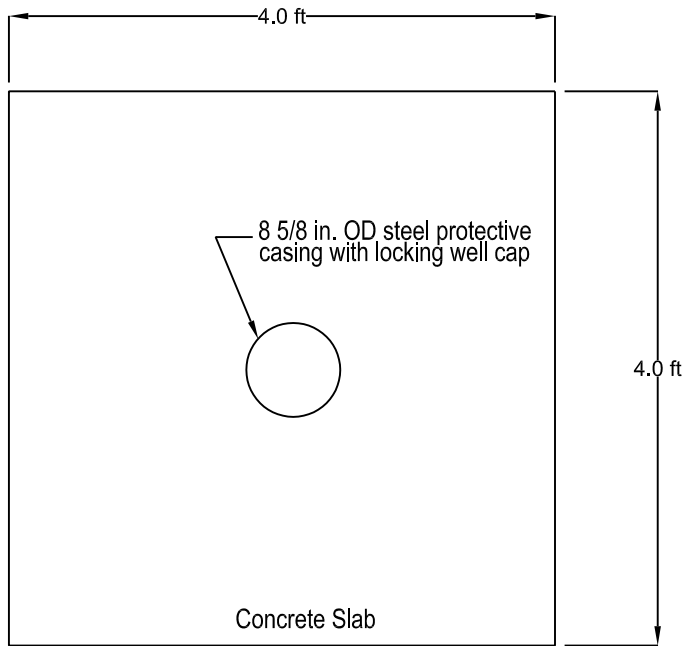


ELEVATION



PLAN

Nye County, Nevada Nuclear Waste Repository Project Office		
Early Warning Drilling Program Wellhead Protection Diagram NC-EWDP-19PB Recompletion		
Date: 10/06	Geologist: JSW	Checked: JSW
Scale: none	Drawn by: KJG	Approved: KJG