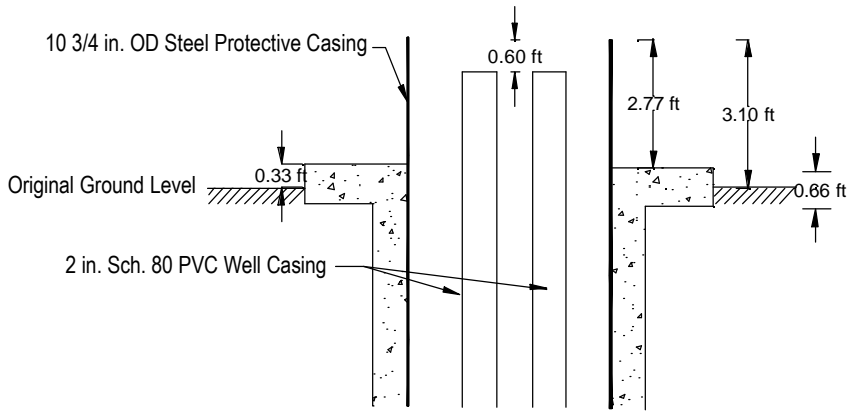
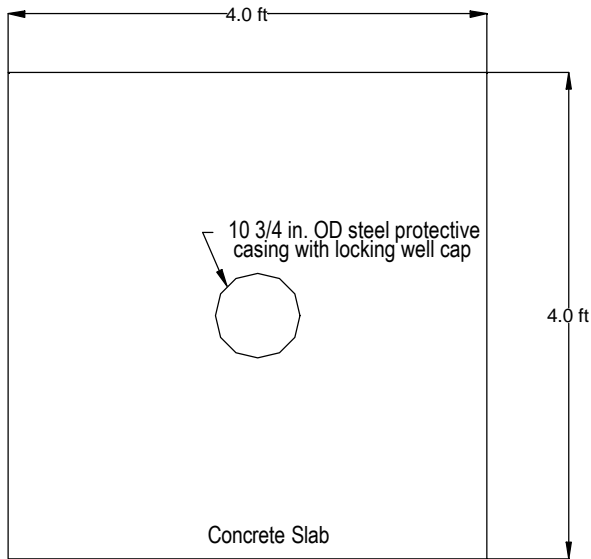


EWDP-23P Wellhead Protection Detail



ELEVATION



PLAN

Nye County, Nevada Nuclear Waste Repository Project Office	
Early Warning Drilling Program Wellhead Protection Diagram NC-EWDP-23P	
Date: 4/17/02	Geologist: KDD
Scale: none	Drawn by: KJG