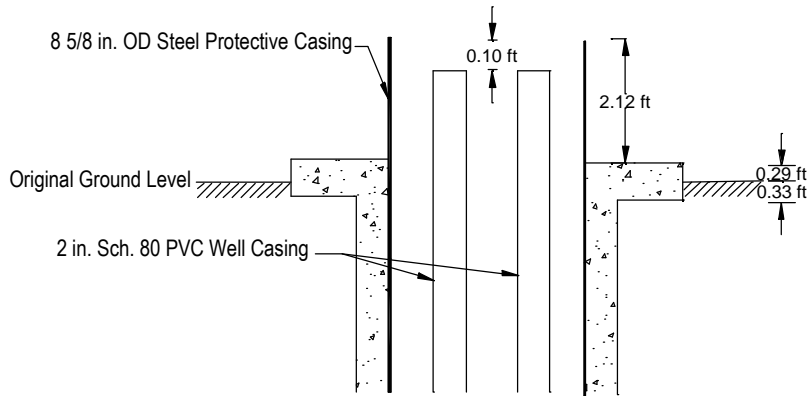
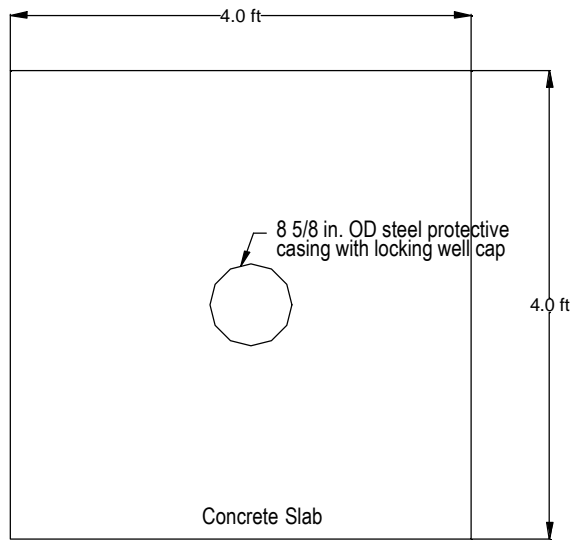


EWDP-22PA Wellhead Protection Detail



ELEVATION



PLAN

Nye County, Nevada Nuclear Waste Repository Project Office	
Early Warning Drilling Program Wellhead Protection Diagram NC-EWDP-22PA	
Date: 4/17/02	Geologist: KDD
Scale: none	Drawn by: KJG