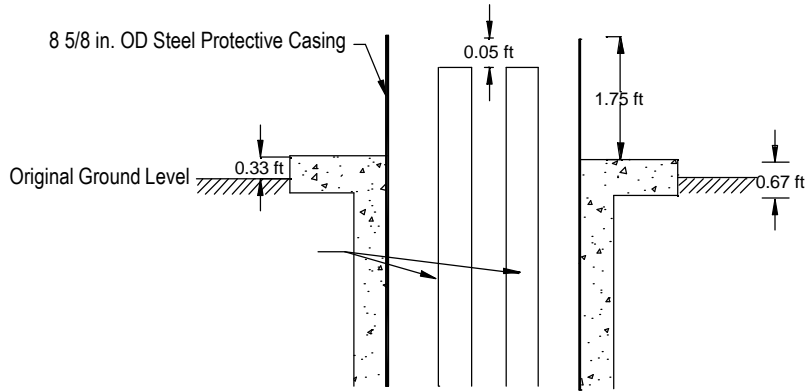
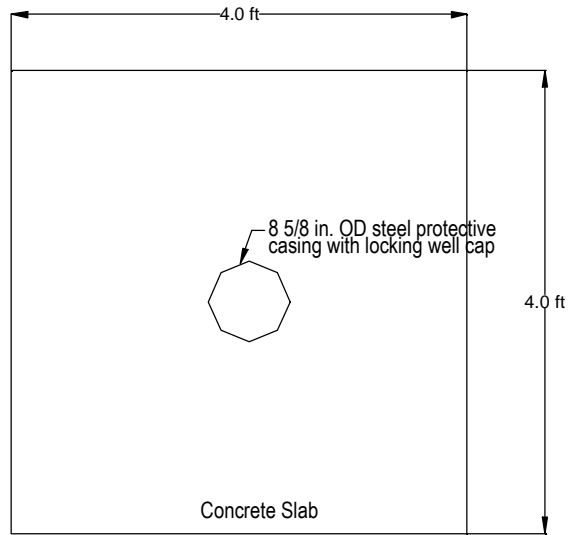


EWDP-10P Wellhead Protection Detail



ELEVATION



PLAN

Nye County, Nevada Nuclear Waste Repository Project Office	
Early Warning Drilling Program Wellhead Protection Diagram NC-EWDP-10P	
Date: 6/7/02	Geologist: JSW
Scale: none	Drawn by: KJG