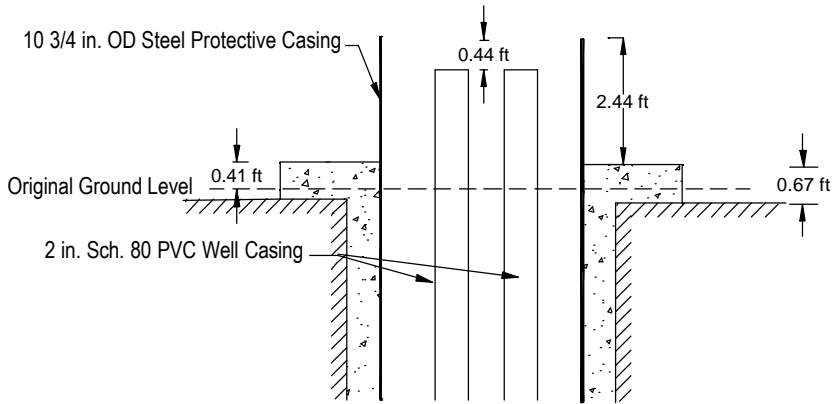
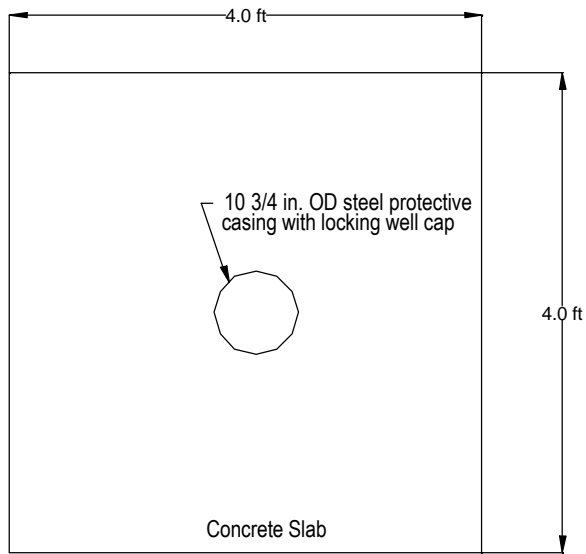


EWDP-22PB Wellhead Protection Detail



ELEVATION



PLAN

| | |
|---|----------------|
| Nye County, Nevada Nuclear Waste Repository Project Office | |
| Early Warning Drilling Program Wellhead Protection Diagram NC-EWDP-22PB | |
| Date: 4/17/02 | Geologist: JSW |
| Scale: none | Drawn by: KJG |