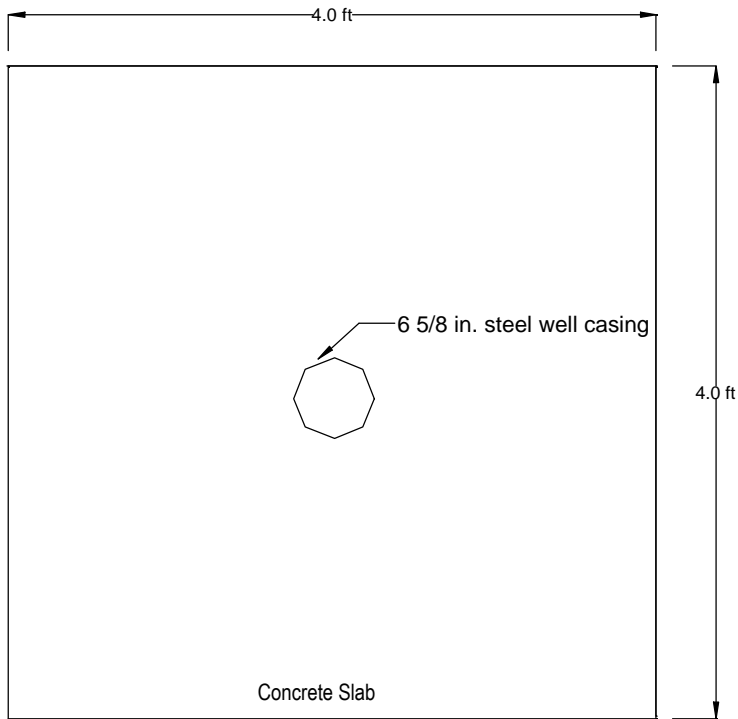
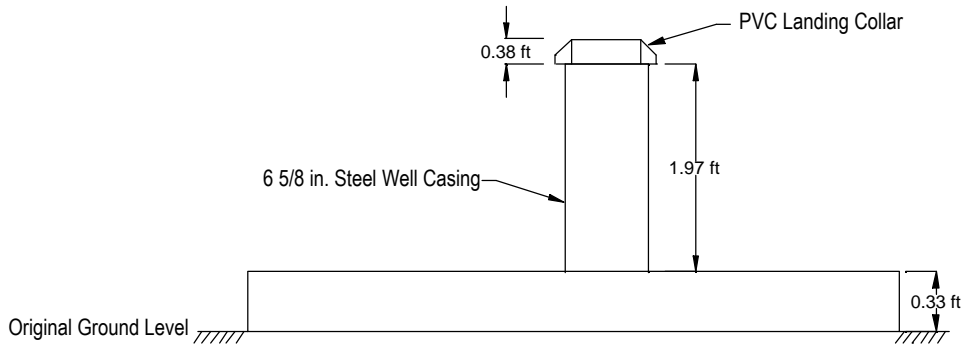


EWDP-10S Wellhead Protection Detail



Note:

- (1) Stick-up from original ground level to top of steel well casing is 2.30 ft.
- (2) Surface details for Westbay completions are subject to change.

Nye County, Nevada	
Nuclear Waste Repository Project Office	
Early Warning Drilling Program	
Wellhead Protection Diagram	
NC-EWDP-10S	
Date: 11/04/02	Geologist: SL
Scale: none	Drawn by: KJG