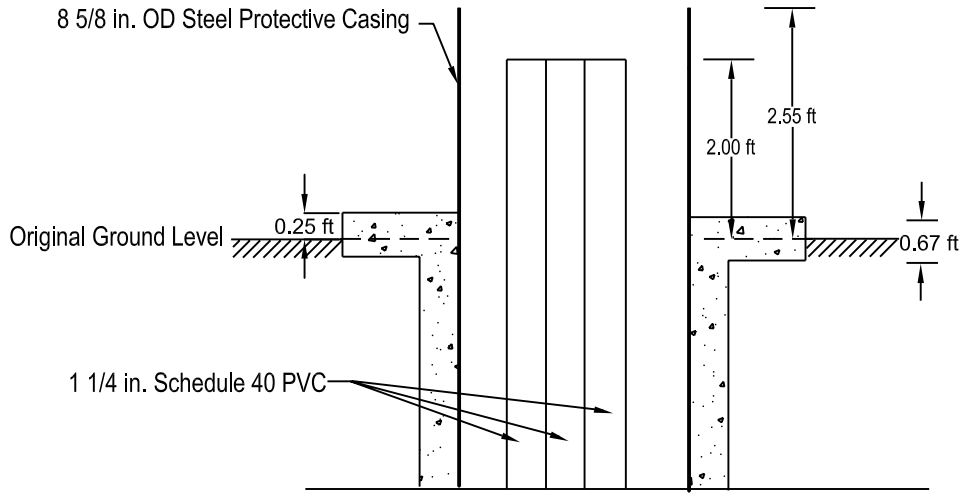
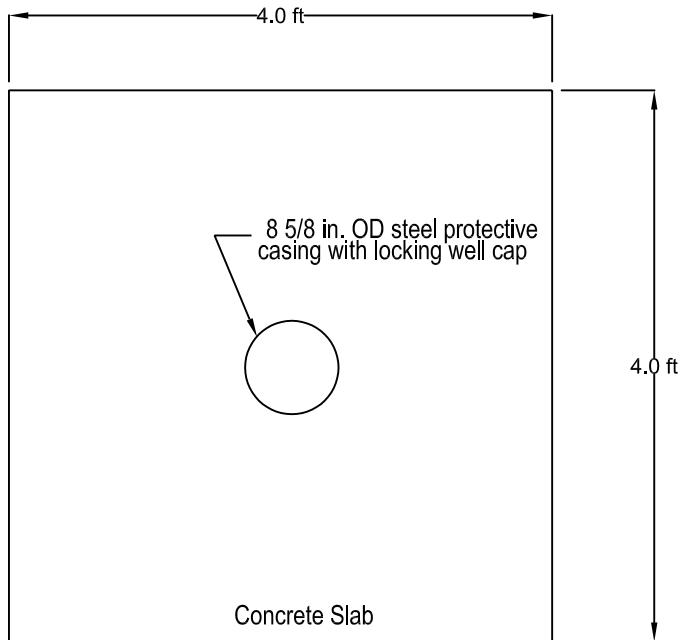


# EWDP-32P Wellhead Protection Detail



**ELEVATION**



**PLAN**

|   |               |              |
|---|---------------|--------------|
| Nye County, Nevada                      |               |              |
| Nuclear Waste Repository Project Office |               |              |
| Early Warning Drilling Program          |               |              |
| Wellhead Protection Diagram             |               |              |
| NC-EWDP-32P                             |               |              |
| Date: 05/06                             | Geologist: BW | Checked: JSW |
| Scale: none                             | Drawn by: KJG | Approved: DS |