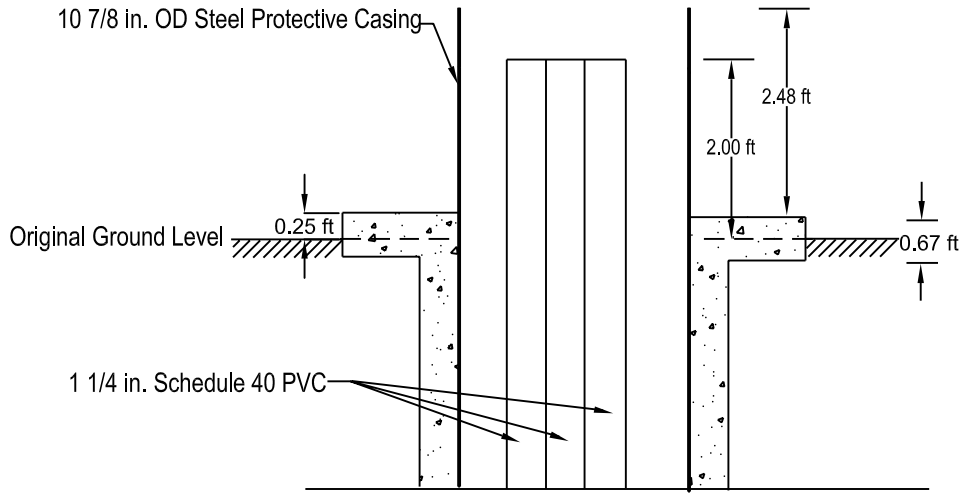
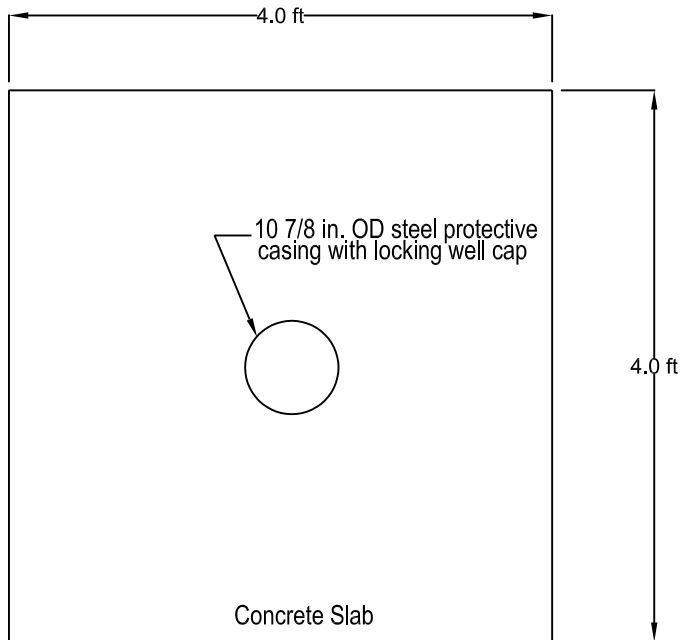


EWDP-33P Wellhead Protection Detail



ELEVATION



PLAN

Nye County, Nevada		
Nuclear Waste Repository Project Office		
Early Warning Drilling Program		
Wellhead Protection Diagram		
NC-EWDP-33P		
Date: 05/06	Geologist: SL	Checked: JSW
Scale: none	Drawn by: KJG	Approved: DS