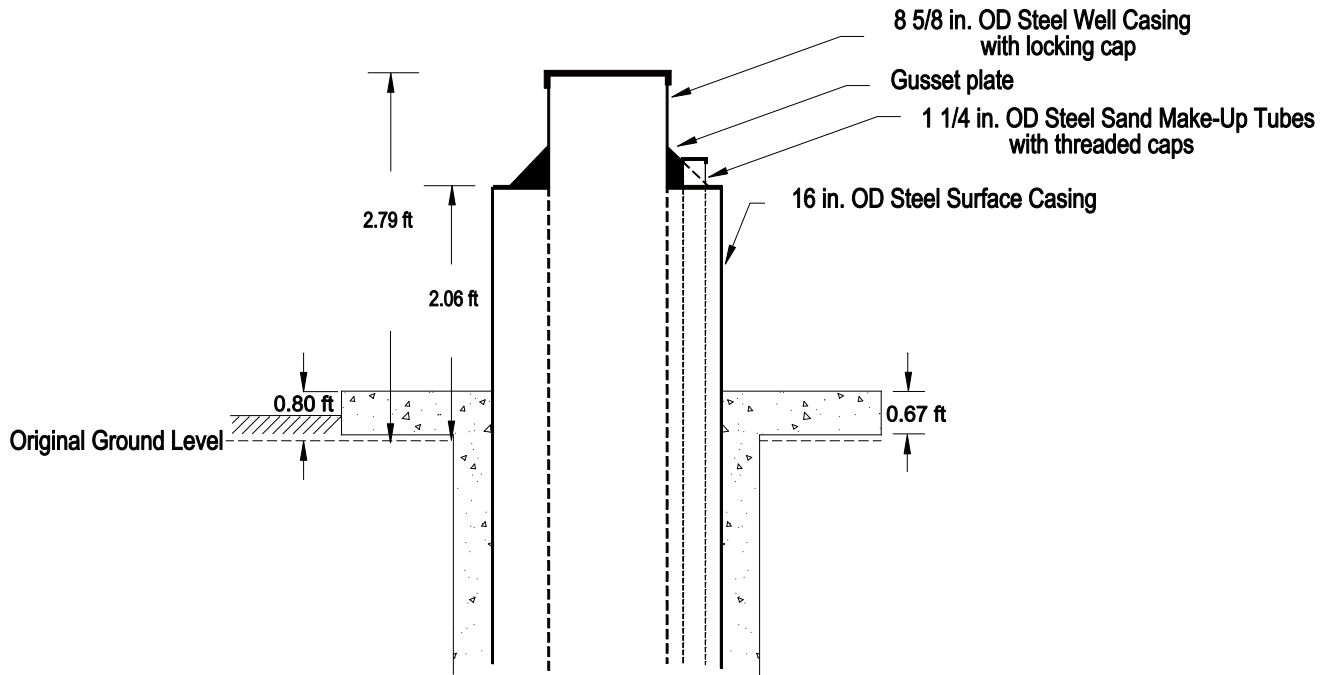
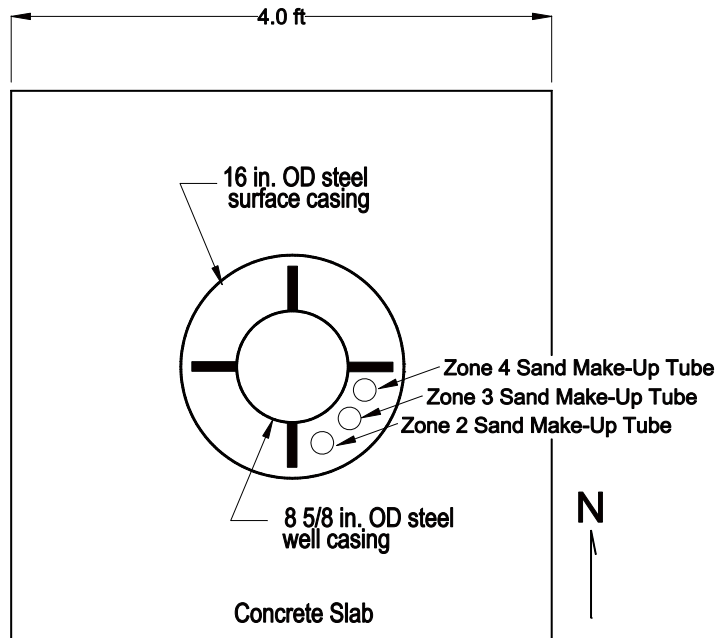


EWDP-4PD Wellhead Protection Detail



ELEVATION



PLAN

Nye County, Nevada Nuclear Waste Repository Project Office	
Early Warning Drilling Program Well Head Protection Diagram NC-EWDP-4PD	
Date: 07/09	Checked by: LK
Scale: none	Drawn by: JSW